

INCLUSIVE PUZZLE BOARD



Inclusion • Fun • Rehabilitation





Product code: WDPUZ01

Product designation:

Inclusive Puzzle Board is dedicated to be installed on the playgrounds, parks and private gardens to provide accessible recreation area for the wheelchair users together with the non-disabled users. The device can be ordered with custom graphic.

Materials:

Construction: black steel profile with epoxy primer and powder coated, stainless steel

Cubes: HDPE board 12 mm thick, milled

Foundation: concrete minimum B-15 class

Dimensions:

Device external dimensions with panels parallel to the frame: 1850 x 1060 x 60 mm

Device external dimensions with panels perpendicular to the frame: 1850 x 1060 x 250 mm

Total height of the device measured from the ground level: 1650 mm

Other dimensions of the device:

The distance of the panels from the ground level: 685 mm

Dimensions of one panel: 250 x 250 x 39 mm

Number of panels in the set: 9

Free fall height: none

Weight (without foundation): 49 kg

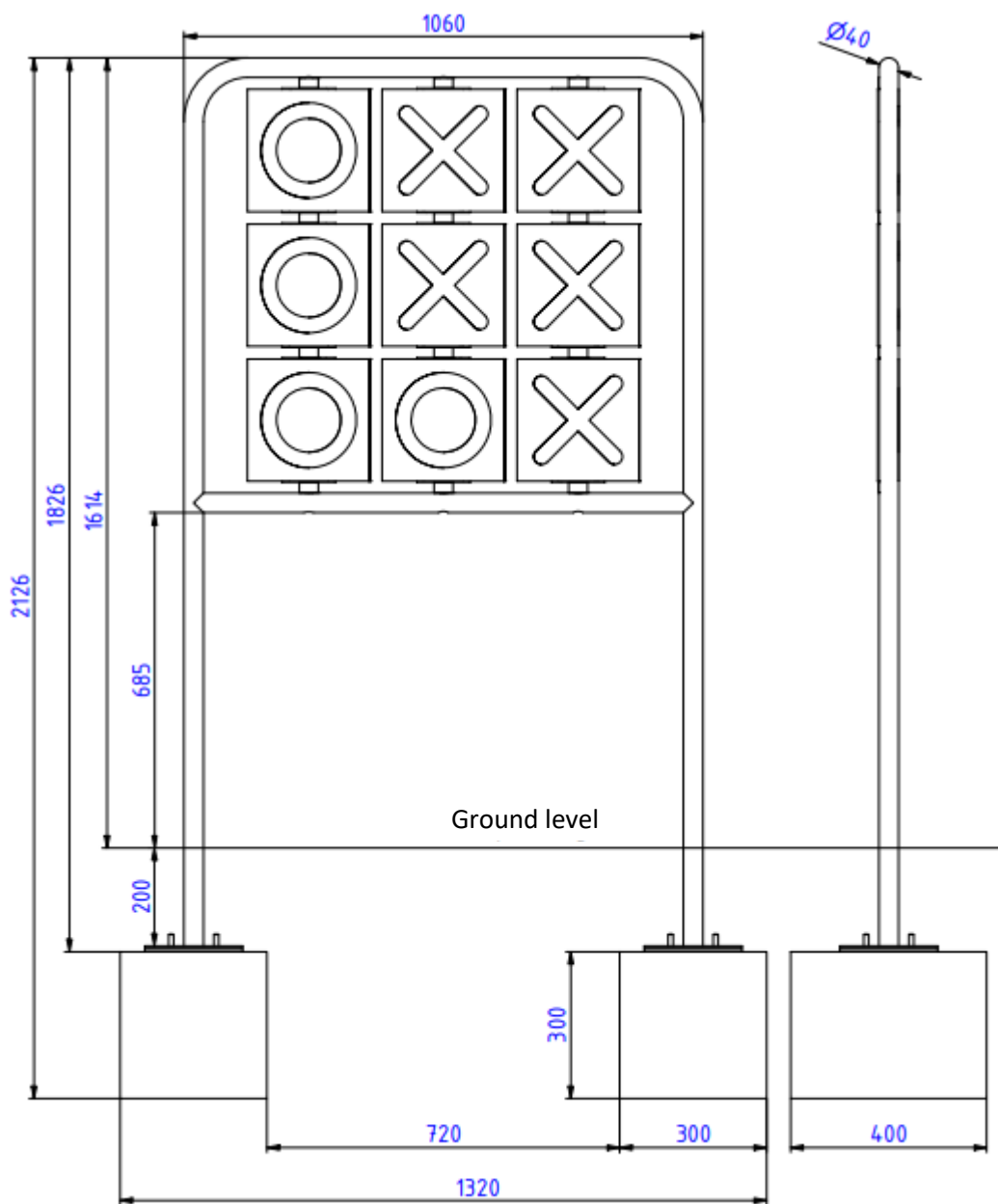
The outer diameter of the frame profile section: fi 40

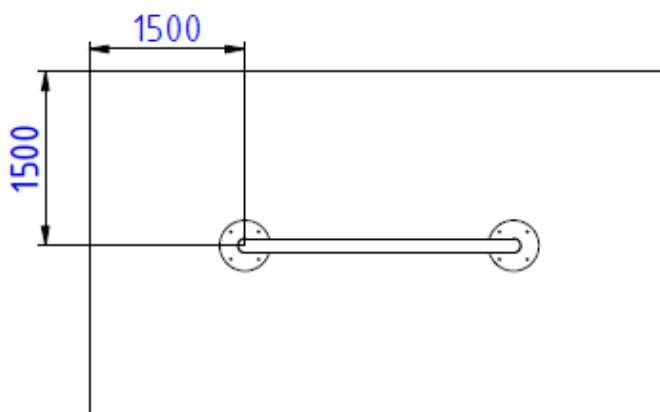
Safety area dimensions: 1500 mm from each edge of the device

Foundation depth: 540 mm

Diameter of the main profile:

Ø40





Dimensions of the safety area

Safety:

Inclusive Puzzle Board complies with EN 1176.

Installation:

Anchoring to the ground. Amortization layer is needed. Homogeneous surface is necessary. Make sure to provide appropriate surface surrounding the roundabout for the wheelchair users easy access!

Features of use:

TERMA Inclusive Puzzle Board make it possible to integrate people with different levels of ability in the playground. The device can be used by a person without disabilities and people in a wheelchair or with intellectual disabilities or vision problems. The device allows children to play with their peers, siblings, parent or guardian. The device allows to have fun with a form of therapy at the same time, depending on the selected graphics and, therefore, the level of difficulty.

The device enables contact with a disabled person while having fun together. It has no barriers to access, both physical and cognitive.

The project fits into the assumptions of universal design, available to all potential users.

TERMA Inclusive Puzzle Board visually refers to the style of playground equipment, at the same time it is attractive in design.

Manufacturer:



TERMA Sp. z o.o.
Czaple 100, 80-298 Gdańsk, Poland
M: +48 / 609 900 451
produktymedyczne@termagroup.pl
www.termamed.pl
www.facebook.com/termamed