



Product code: WDTAB04

Product designation:

Inclusive Marble Run Play Panel is dedicated to be installed on the playgrounds, parks and private gardens to provide accessible recreation area for the wheelchair users together with the non-disabled users. The device complies with EN 1176.

Materials:

Construction: black steel profile with epoxy primer and powder coated, stainless steel
Fronts: HDPE board, 12 mm thick
Foundation: concrete class min. B-15

Dimensions:

Device external dimensions: 1670 x 1420 x 188 mm
Total height of the device measured from the ground level: 1470 mm
The distance of the board from the ground level: 701 mm
Number of the rolling elements: 2
Weight (without foundation): 45 kg

Other dimensions of the device:

Free fall height: none
The outer diameter of the frame profile section: fi 40
Safety area dimensions: 1500 mm from each edge of the device
Foundation depth: 540 mm
Diameter of the main profile:
Ø40

Dimension of the longest element: Main construction: 1670 x 1420 x 188 mm
The weight of the heaviest element: Main construction: 45 kg

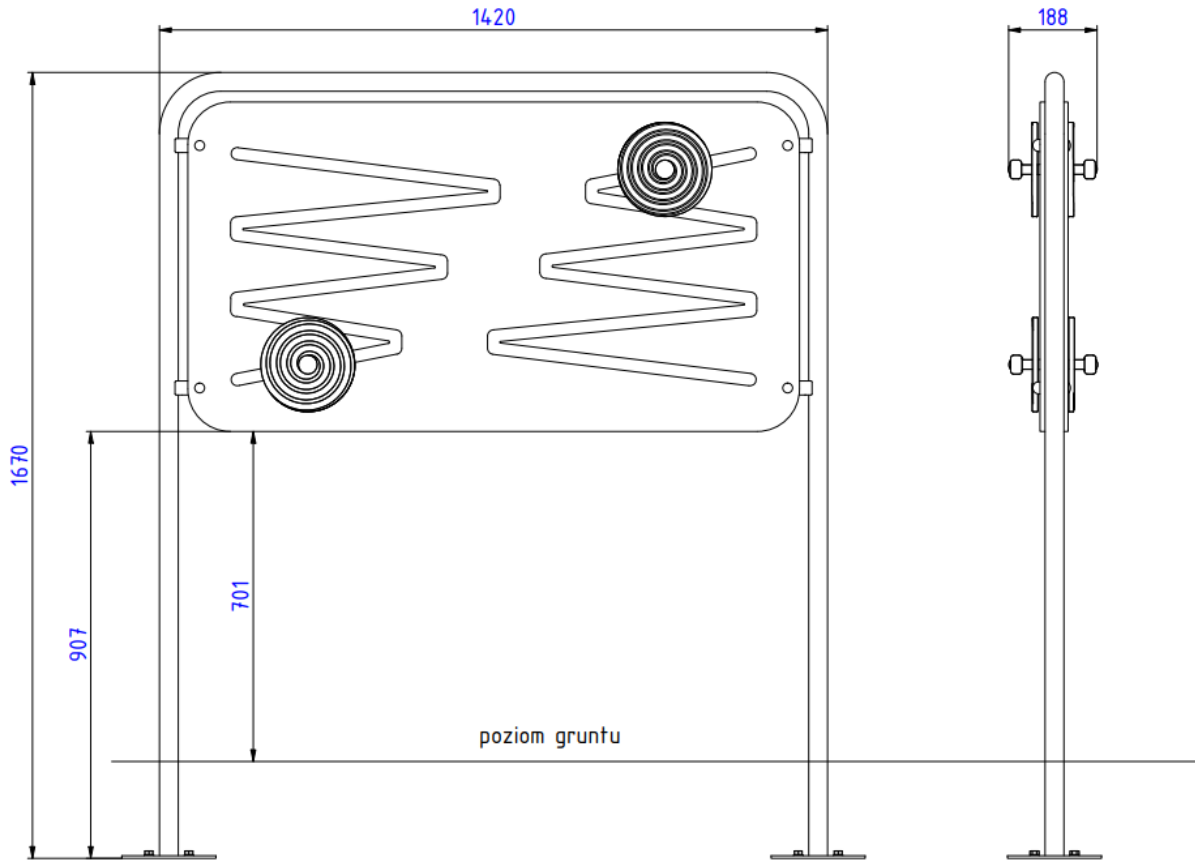


Fig. Dimensions of the device

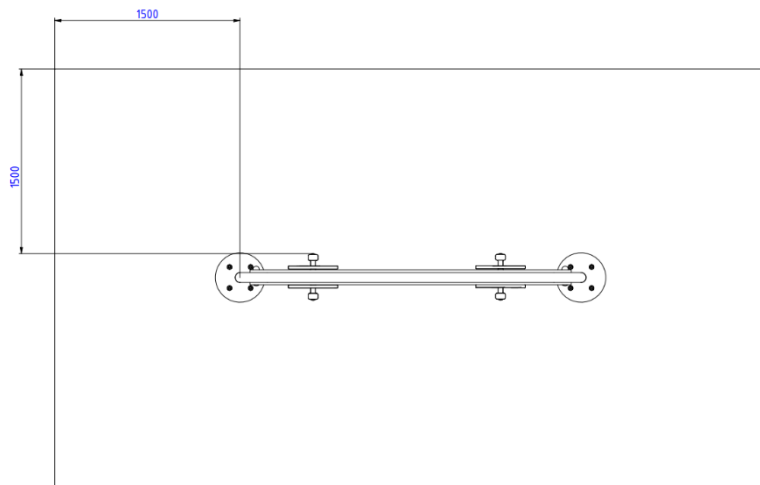


Fig. The device with it's safety area



Safety:

Inclusive Marble Run Play Panel complies with EN 1176.

Installation:

Anchoring to the ground. Amortization layer is needed. Homogeneous surface is necessary. Make sure to provide appropriate surface surrounding the roundabout for the wheelchair users easy access!

Features of use:

TERMA Inclusive Marble Run Play Panel make it possible to integrate people with different levels of ability in the playground. The device can be used by a person without disabilities and people in a wheelchair or with intellectual disabilities or vision problems. The device allows children to play with their peers, siblings, parent or guardian. The device allows to have fun with a form of therapy at the same time, depending on the selected graphics and, therefore, the level of difficulty.

The device enables contact with a disabled person while having fun together. It has no barriers to access, both physical and cognitive.

The project fits into the assumptions of universal design, available to all potential users.

TERMA Inclusive Marble Run Play Panel visually refers to the style of playground equipment, at the same time it is attractive in design.

Manufacturer:



TERMA Sp. z o.o.

Czaple 100, 80-298 Gdansk, Poland

M: +48 / 609 900 451

T: +48 58 / 694 06 02

F: +48 58 / 694 05 06

produktymedyczne@termagroup.pl

www.termamed.pl

www.facebook.com/termamed