



Product code: WDLAW01

Designation: The TERMA Accessible Bench is an additional equipment in public space as a place of rest or recreation. It can be installed outdoors, e.g. in housing estates, parks, green areas, playgrounds, promenades, as well as indoors: airports, stations, shopping malls, etc.

Materials:

Backrest and seat: composite rail, HDPE board, 15 mm thick
Frame: 10 mm black carbon steel with epoxy backing, powder coated

Dimensions:

External dimensions of the 2-seater version

Overall width: 1350 mm
Seat width: 1200 mm
Depth: 420 mm
Seat height from the ground: 460 mm
Overall height: 850 mm
Seat width between armrests: 600 mm
Armrest width: 70 mm

External dimensions of the 3-seater version

Overall width: 1950 mm
Seat width: 1800 mm
Depth: 420 mm
Seat height from the ground: 460 mm
Overall height: 850 mm
Seat width between armrests: 600 mm
Armrest width: 70 mm

Free fall height: 460 mm

Functional area: zalecane wolne miejsce obok ławki na wózek inwalidzki

Foundation depth: 200 mm

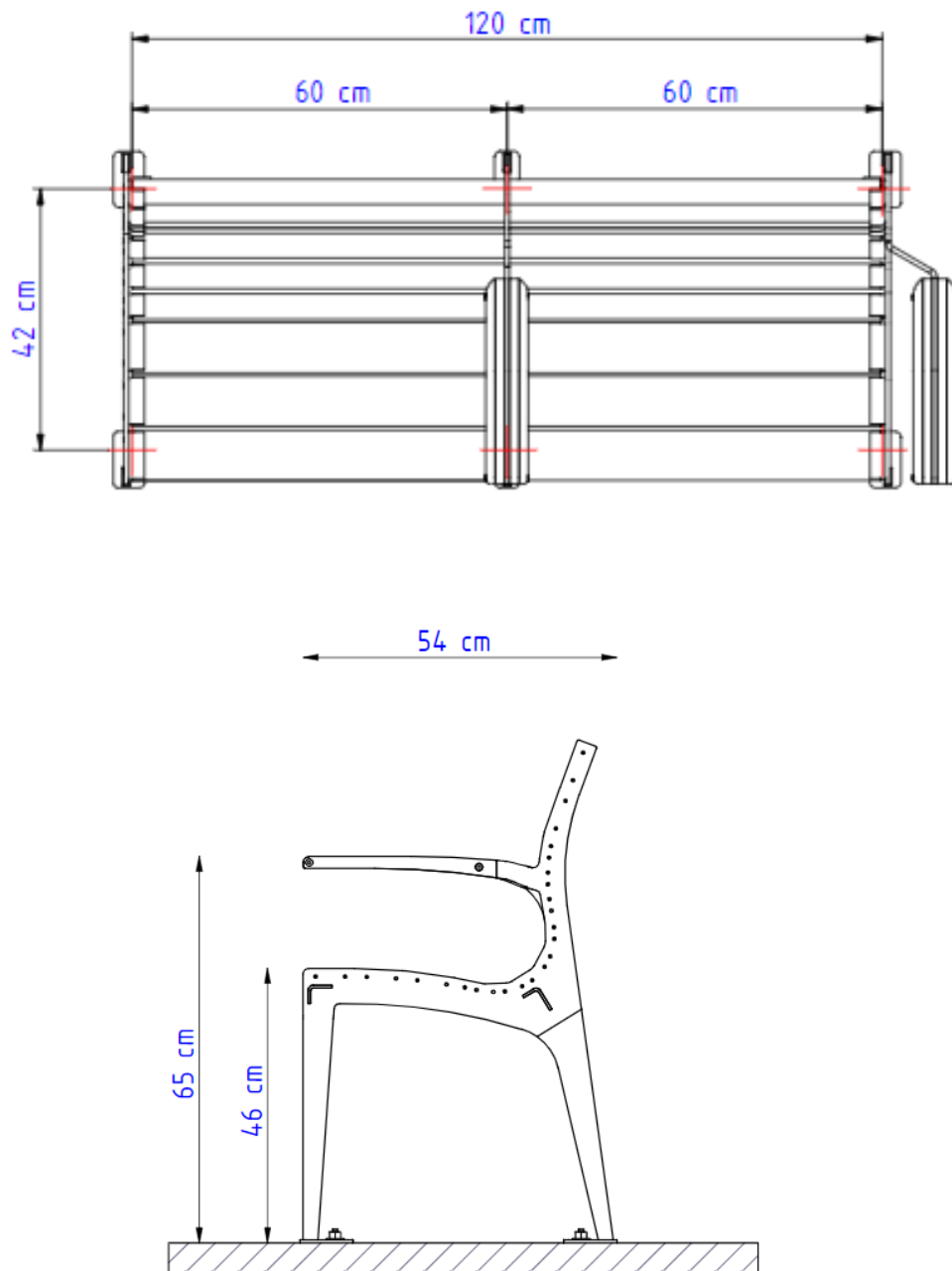


Fig. Dimensions of the 2-seater version

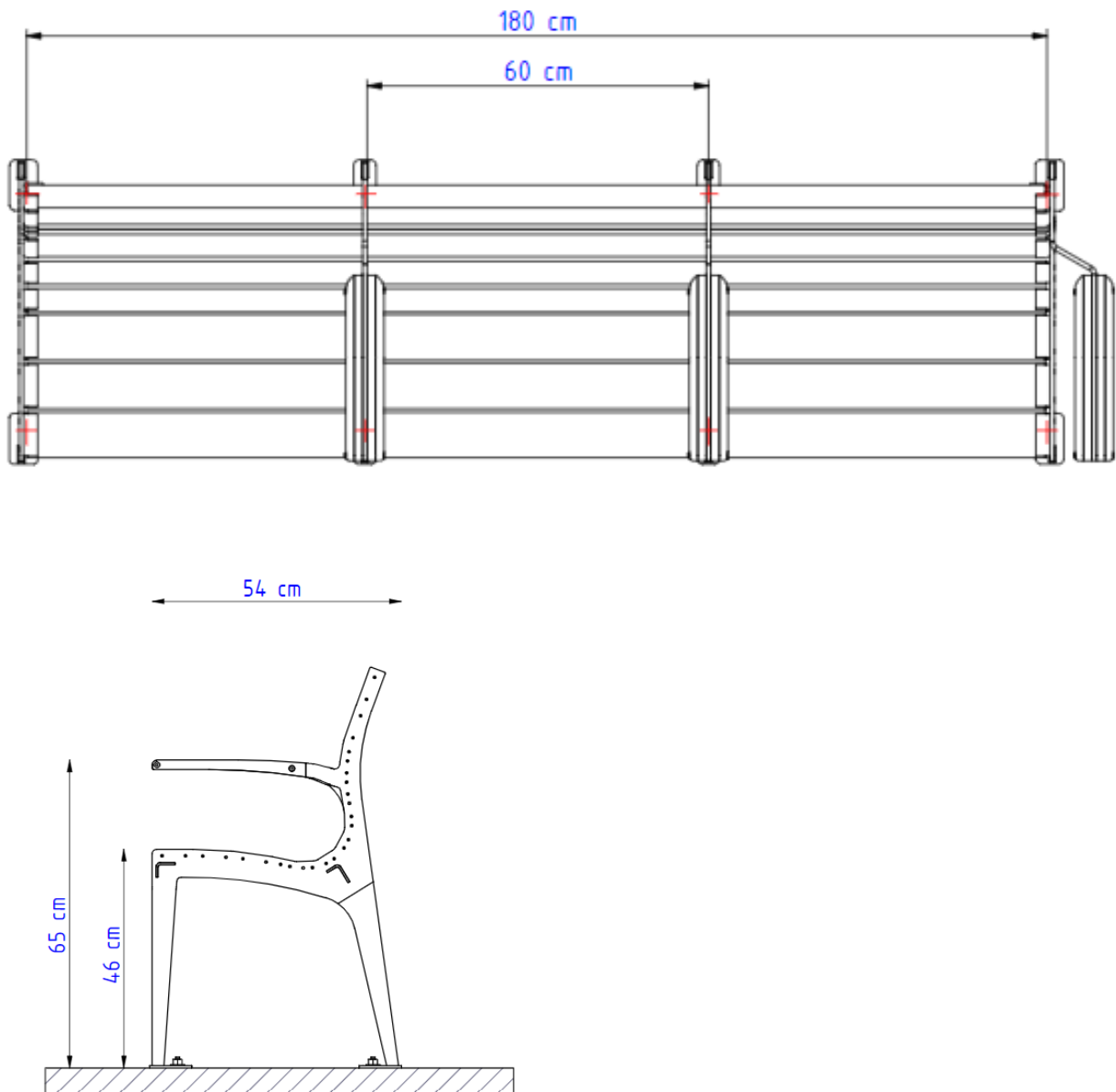


Fig. Dimensions of the 3-seater version

Safety:

Accessible Bench complies with PN-EN 1176.

Installation:

Anchoring to the ground. No cushioning layer is required. A homogeneous substrate is necessary. A hardened surface should be set allowing access to a wheelchair accessible device.

Features:

WHAT IS THE DIFFERENCE BETWEEN AN ACCESSIBLE BENCH AND A STANDARD BENCH?

At first glance, the differences are meant to be invisible. It's supposed to look like any other standard bench. The special features are hidden in:

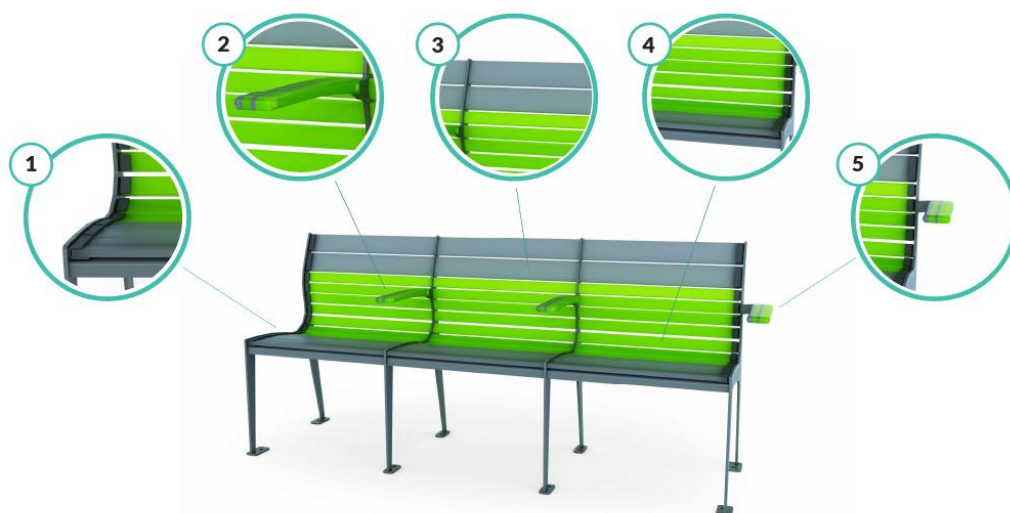
1. Lack of the last armrest to ensure the possibility of transfer from the wheelchair to the bench for people who find it easier to transfer in the open space.

2. Wide, easy-to-grip armrests for easy transfer from a wheelchair to a bench and adequate support for people who require additional stabilization.

3. Contoured backrest and seat, providing support for the sacrum and matching the natural curves of the spine. Made of non-slip composite.

4. Adequate depth and height of the seat, making it easier for people with limited mobility to get up. Made of non-slip composite.

5. Specially contoured armrest, allowing the support of crutches or Nordic walking poles, which will not interfere with the passageway next to the bench.



www.termamed.pl



Accessible Bench can be used simultaneously by non-disabled people of different ages, people with disabilities, also in wheelchairs, seniors, blind people, in various configurations of these users, depending on the needs.

It is possible to configure the color of the device and choose a 2- or 3-person version.

Manufacturer:



TERMA Sp. z o.o.
Czaple 100, 80-298 Gdańsk
M: +48 / 609 900 451
T: +48 58 / 694 06 02
F: +48 58 / 694 05 06
produktymedyczne@termagroup.pl
www.termamed.pl
www.facebook.com/termamed