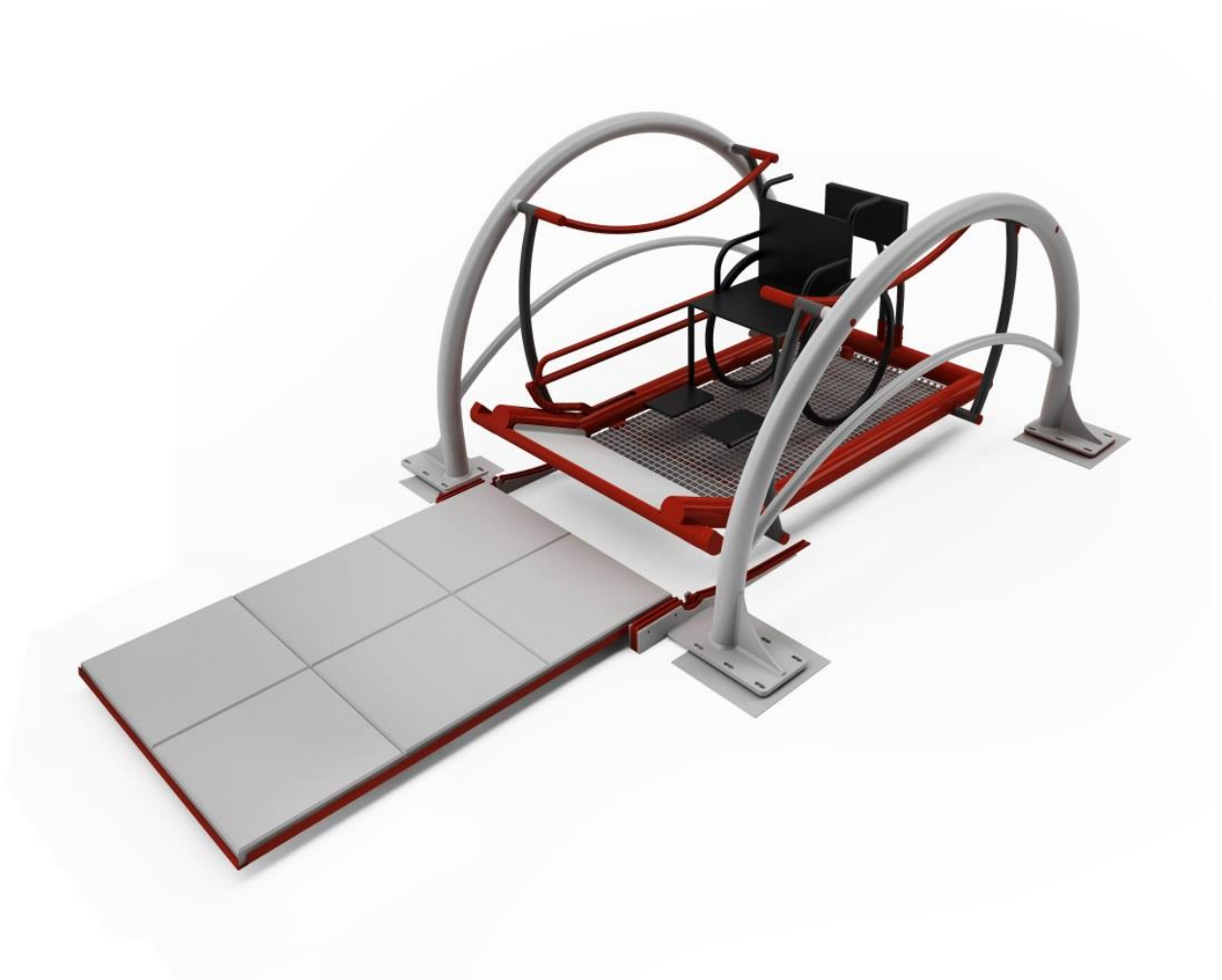


TERMA Inclusive swing



Inclusion • Fun • Rehabilitation





Product code: WDHUS01

Product designation: TERMA Inclusive swing is dedicated to be installed at playgrounds, outdoor gyms, parks and home gardens. TERMA Inclusion swing refers to the universal design terms because the device is accessible to all users – with disabilities and without. It can be used by both groups of children.

Inclusion swing comes as a set with information board which must be placed in the close neighborhood to the installed device with good visibility to the users, both disabled and without impairments. The device is dedicated to be installed on the outdoor gym area.

If installed close to the playground it's recommended to fence the device.

Materials:

Construction: black steel profiles with epoxy primer and powder coating

Platform: galvanized steel lattice, riffled steel plate

Backrest: HDPE

Substructure: concrete minimum B-15 class

Information board: powder coated steel frame, dibond printed board

Pavement: rubber tile 500 x 500 mm

Dimensions:

Outer device dimensions: 2210 mm x 1951 mm

Device height: 1242 mm

Platform dimensions: 1400 x 810 mm

Recommended distance from the platform to the ground level: minimum 140 mm

Weight of the device (construction): 260 kg

Additional information:

Free fall height: none

Safety zone: 1500 mm from the side of the device and 2000 mm from the front and back of the device

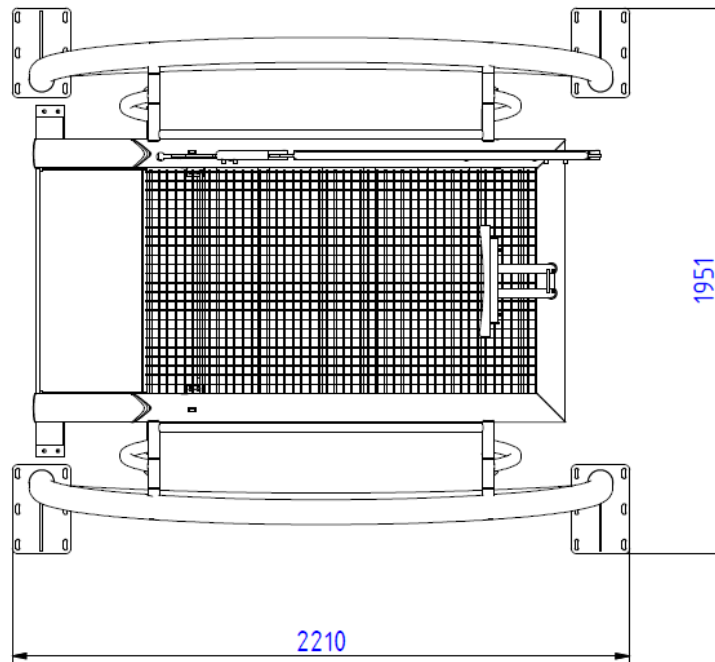
Functional area dimensions: 6213 mm x 4871 mm

Functional area area: 30,26 m²

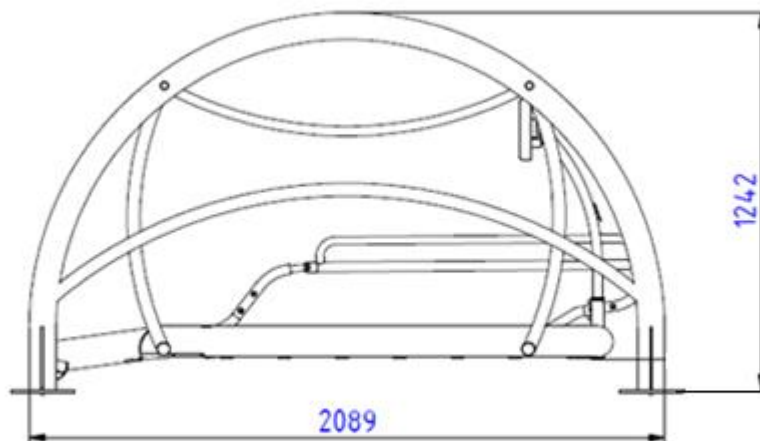
Depth of substructure: 600 mm

Information board dimensions: 800 x 600 mm

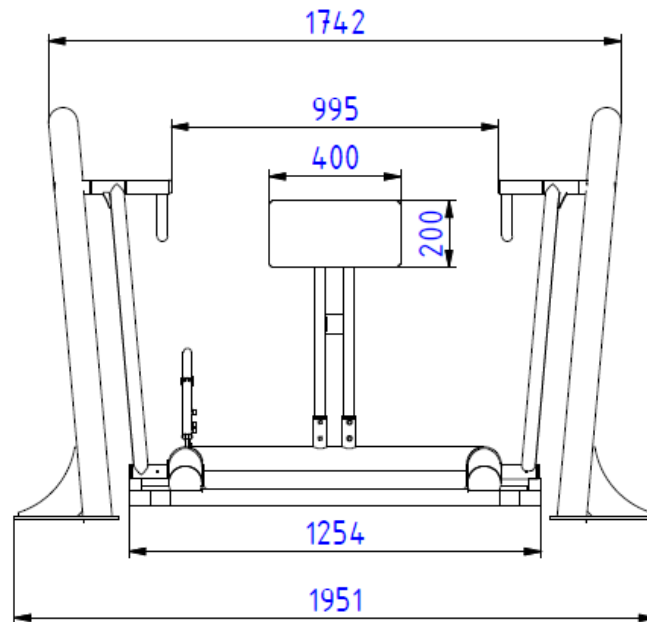
Information board height measured from the ground level: 1800 mm



Outer dimensions in the view from the top.



Dimensions of the device in the view from the side.



Dimensions of the device in the view from the front

Safety:

Inclusive swing complies with PN-EN 16630:2015-06 norm.

Maximum allowed users number on the platform in the same time:

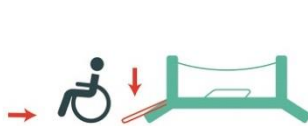
- 1 user without impairments + 1 wheelchair user
- 1 wheelchair user

Maximum allowed weight of users on the platform: 200 kg

If installed close to the playground it's recommended to fence the device.

Operation:

USAGE INSTRUCTIONS FOR WHEELCHAIR USER



1. Before entering the platform make sure that the landing is opened and stable on the ground.



2. Enter the platform and ride until you reach the backrest. Lock the brakes of the wheelchair. Set the safety belt.



3. Use the lever to lift the landing and to unlock the swinging platform.



4. Holding the side rails start swinging.



5. When you finish swinging move the lever forward and open the landing. Open and remove the safety belt.



6. Leave the platform by riding down the landing.

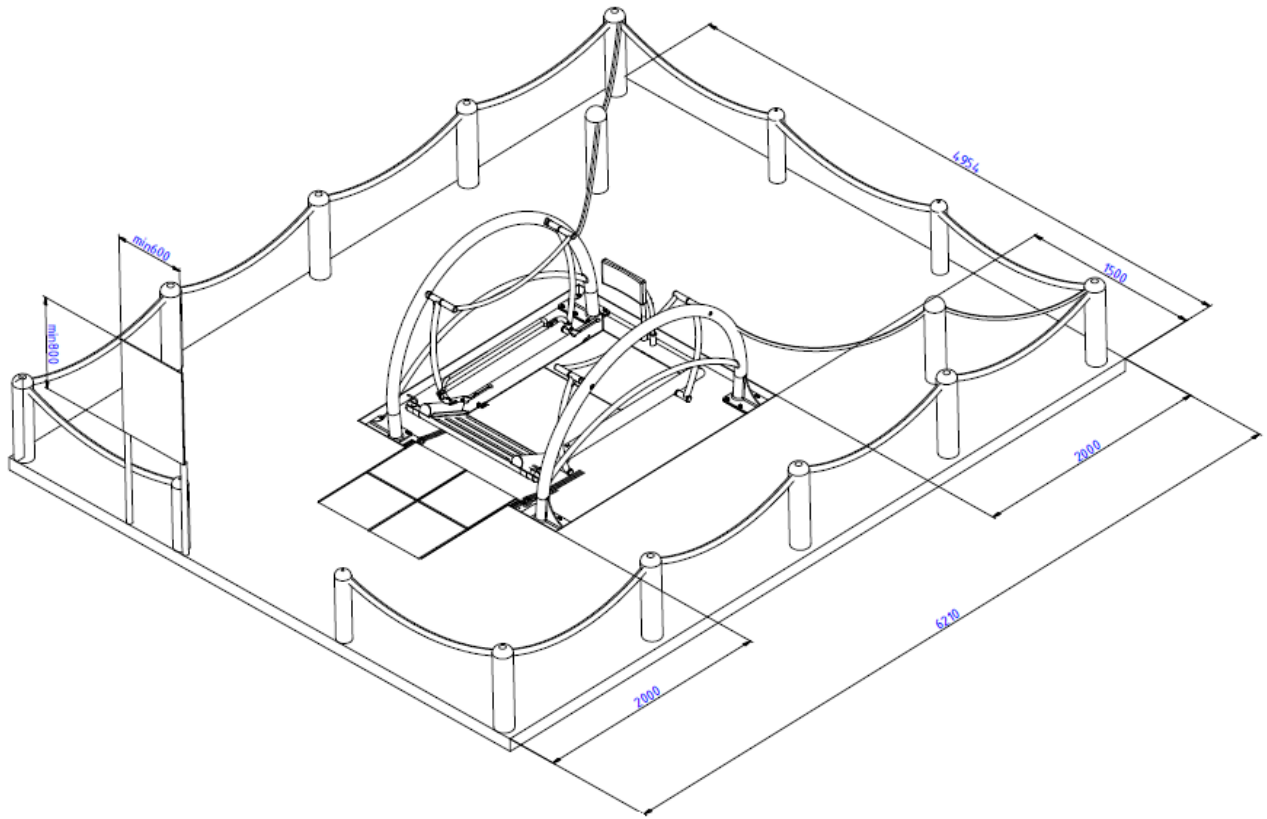
Inclusion swing comes as a set with information board which must be installed in the close neighbourhood to the swing. The board must be installed on the height allowing wheelchair users to read the information, in visible, accessible place. The board contains all the necessary information about usage, safety, recommendations and warnings.

Installation:

Inclusive swing is installed on four concrete blocks on the 400 mm depth. The impact attenuating layer is not required as long as the free fall height is not possible. The surfacing must be homogeneous, excluding the fine sand.

If the Inclusive swing is installed on the area in the close distance to the unfenced playground it must be surrounded by a fence of 700-800 mm height to protect users against impact. The fence must be installed with the respect to the safety areas of the device.

Recommended way of fencing is presented below. The manufacturer does not provide the fence as a set.



Recommended fencing way with respecting the safety areas.

Performance:

The idea of the swing is to provide environment for inclusion of wheelchair users and the integration with users without impairments. On the swinging platform there is enough space to fit one child on the wheelchair and one person without disabilities which enables to play with a parent, carer, siblings or a friend. At the same time the swing allows self-operation or to be used only by users without disabilities.



Manufacturer:

TERMA Sp. z o.o.
Czaple 100
Poland
80-298 Gdańsk
M: +48 / 609 900 451
produktymedyczne@termagroup.pl
www.termamed.pl
www.facebook.com/termaplay